

RPT Series of R Core Power Transformers

The YUANXING **RPT** series of **R** core **P**ower **T**ransformers are designed for applications that require the superior performance offered by solid core technology; higher efficiency, lower weight, smaller size, quieter operation. Unlike the familiar E-I technology, the “R” core is made from a strip of high quality, grain oriented silicon steel. The strip is wound tightly like a fully wound clock spring, forming a toroidal core with a circular cross section. This toroidal core does not have the air gap common to E-I technology, resulting in lower noise, greater efficiency and lower heat build up. The primary and secondary windings are wound one at a time, directly around the core.

Features:

- Smaller size, lower weight than equivalent E-I design.
- High efficiency due to the toroidal core design without an air gap.
- Quieter operation



Applications:

- Medical electronics
- Audio equipment.
- Test and measurement equipment
- Process control equipment

Specifications:

- Grain oriented silicon steel core material
- Frequency Range: 50/60 Hz
- Hi-Pot: 4,000 Vrms
- Dielectric breakdown: Over 3,000 V, 1 minute between primary and secondary
- Operating Temperature: -15°C to +60°C



YUANXING Electronics Co., LTD

Yifan Road
Science & Technology Industry Park
Zhangdian, Zibo
Shandong Province 255000, P.R.C.
Telephone: 0086-533- 3814721
Fax: 0086-533-3814724
sale@yuanxing-china.com
www.yuanxing-china.com

T.I. Chen Associates

1101 N. 5th Street
Tacoma, WA 98403-1610
USA
Telephone: 253.678.2661
FAX: 206.350.6482
tim@tichenassociates.com
www.tichenassociates.com

Standard Series	Part Number	Capacity (VA)	A	W	X	E	F	G	T	Wt(kg)
	RPT0005-xxx / yyy * zzz	5	57	45	26	45	35	4	1.0	0.20
	RPT0008- xxx / yyy * zzz	10	65	57	33	53	44	4	1.0	0.32
	RPT0010- xxx / yyy * zzz	15	84	63	37	68	48	4	1.0	0.40
	RPT0020- xxx / yyy * zzz	20~28	84	63	39	70	55	4	1.0	0.50
	RPT0025- xxx / yyy * zzz	25~35	80	68	42	70	55	4	1.0	0.60
	RPT0030- xxx / yyy * zzz	30~45	85	75	42	70	60	5	1.0	0.70
	RPT0035- xxx / yyy * zzz	35~55	85	75	46	70	60	5	1.0	0.90
	RPT0040- xxx / yyy * zzz	45~60	85	75	44	70	60	5	1.0	0.90
	RPT0050- xxx / yyy * zzz	50~65	90	80	48	75	65	5	1.0	1.00
	RPT0080- xxx / yyy * zzz	70~100	110	85	52	90	70	5	1.2	1.40
	RPT0100- xxx / yyy * zzz	90~130	115	95	55	100	80	5	1.2	1.70
	RPT0160- xxx / yyy * zzz	150~200	120	103	63	100	85	5	1.6	2.60
	RPT0260- xxx / yyy * zzz	200~300	150	110	66	130	95	6	1.6	3.10
	RPT0320- xxx / yyy * zzz	280~380	160	118	70	135	95	6	1.6	3.80
	RPT0600- xxx / yyy * zzz	380~620	165	125	85	142	100	8	1.6	6.50
	RPT0700- xxx / yyy * zzz	380~750	188	145	85	142	100	8	1.6	6.80
RPT1000- xxx / yyy * zzz	650~1200	215	155	99	180	140	8	2.6	10.50	

Part Number:

RPT - / *

Model #

 Primary
Voltage

 Secondary
Voltage * Current

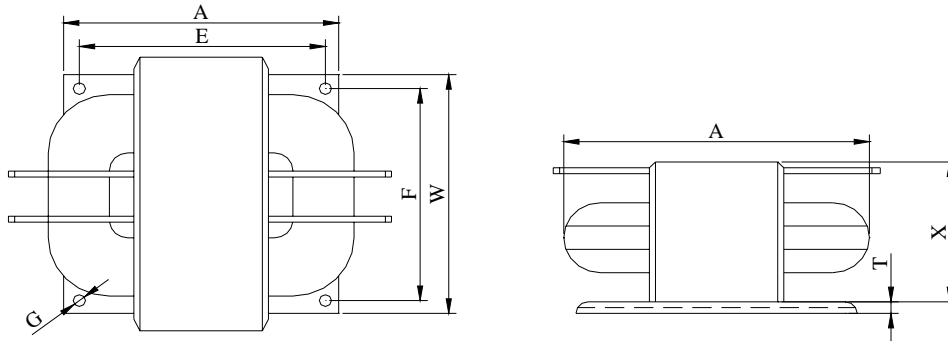
YUANXING Electronics Co., LTD

Yifan Road
 Science & Technology Industry Park
 Zhangdian, Zibo
 Shandong Province 255000, P.R.C.
 Telephone: 0086-533- 3814721
 Fax: 0086-533-3814724
sale@yuanxing-china.com
www.yuanxing-china.com

T.I. Chen Associates

1101 N. 5th Street
 Tacoma, WA 98403-1610
 USA
 Telephone: 253.678.2661
 FAX: 206.350.6482
tim@tichenassociates.com
www.tichenassociates.com

Outline Drawing:



YUANXING Electronics Co., LTD

Yifan Road
Science & Technology Industry Park
Zhangdian, Zibo
Shandong Province 255000, P.R.C.
Telephone: 0086-533- 3814721
Fax: 0086-533-3814724
sale@yuanxing-china.com
www.yuanxing-china.com

T.I. Chen Associates

1101 N. 5th Street
Tacoma, WA 98403-1610
USA
Telephone: 253.678.2661
FAX: 206.350.6482
tim@tichenassociates.com
www.tichenassociates.com

List Price:

Part Number	Capacity (VA)	List Price (\$US)
RPT0005-XXX/XXX* XXX	5	\$12.00
RPT0008-XXX/XXX* XXX	10	13.50
RPT0010-XXX/XXX* XXX	15	15.00
RPT0020-XXX/XXX* XXX	20~28	17.50
RPT0025-XXX/XXX* XXX	25~35	20.00
RPT0030-XXX/XXX* XXX	30~45	22.50
RPT0035-XXX/XXX* XXX	35~55	22.50
RPT0040-XXX/XXX* XXX	45~60	25.00
RPT0050-XXX/XXX* XXX	50~65	30.00
RPT0080-XXX/XXX* XXX	70~100	45.00
RPT0100-XXX/XXX* XXX	90~130	50.00
RPT0160-XXX/XXX* XXX	150~200	65.00
RPT0260-XXX/XXX* XXX	200~300	80.00
RPT0320-XXX/XXX* XXX	280~380	150.0
RPT0600-XXX/XXX* XXX	380~620	160.00
RPT0700-XXX/XXX* XXX	380~750	225.00
RPT1000-XXX/XXX* XXX	650~1200	275.00

Purchase order quantities of 100 to 499 of a single part number are eligible for a 20% discount from List Price. Higher quantity discounts are available.

TERMS: Net 30 days from date of invoice. Invoice date is date of shipment.
ExWorks/ FOB Tacoma, Washington USA.

YUANXING Electronics Co., LTD

Yifan Road
Science & Technology Industry Park
Zhangdian, Zibo
Shandong Province 255000, P.R.C.
Telephone: 0086-533- 3814721
Fax: 0086-533-3814724
sale@yuanxing-china.com
www.yuanxing-china.com

T.I. Chen Associates

1101 N. 5th Street
Tacoma, WA 98403-1610
USA
Telephone: 253.678.2661
FAX: 206.350.6482
tim@tichenassociates.com
www.tichenassociates.com