

Clamp-on Current Probe – Three Ranges

The **CTC1536** clamp-on current probe is designed for applications that are limited to intermittent current measurements where wide AC input current and frequency range are highly desirable features. Three (3) switch selectable ranges offers maximum USER measurement flexibility. With a maximum operating voltage of 600 volts and a high impact resistant housing, the CTC1536 offers superior operator protection and safety.

Specifications:

Input/ Output (a three position switch enables the operator to select the input/ output range):

| Continuous Working Current | Output | Accuracy Class |
|----------------------------|----------|----------------|
| 0.1A to 10A | 100mV/ A | 3% ± 10mV |
| 0.1A to 100A | 10mV/ A | 2% ± 5mV |
| 1A to 1,000A | 1mV/ A | 1% ± 1mV |

Frequency: 10 to 1,000,000 Hz

Maximum Non-destructive Input Current: 2,000 A

Working Voltage: 600V_{AC RMS}

Output:

Ambient Temperature Influence:

< 0.1% per °C for temperatures from
-10°C to 18°C and from 28°C to 50°C

Rise/ Fall Time: < 400ms

Burden Resistance: ≥ 100 KOhms

Operating:

Operating Temperature:

-10°C to +50°C (14°F - 122°F):

100mA - 800 A_{AC RMS} continuous

800 - 1000 A_{AC RMS} 5 minutes On,
15 minutes Off

-10°C to +30°C (14°F - 86°F)

100 mA - 1000 A_{AC RMS} continuous

Storage Temperature:

-40°C to +70°C (-40°F - +160°F)



Relative Humidity: 0% - 85% (10°C - 30°C)

0% - 75% (30°C - 40°C)

0% - 45% (40°C - 50°C)

Note: Accurate and linear measurements are obtained when the Ampere – Second product (average current amplitude times duration of the current pulse) is below 1.0 A-S. A-S pulses greater than 1.0 A-S might result in core saturation and reduced transformation accuracy.

Clamp-on Current Probe – 3 Switch Selectable Ranges

Physical:

| | |
|----------------------|--|
| Safety: | CAT III 600V |
| Opening: | 50mm (2.05") |
| Dimensions: | 216mm (8.5") x 111mm (4.4") x 45mm (1.8") |
| Weight: | 0.65 kg (1.4lbs) |
| Output Cable: | 1.5m (60") PVC insulated reinforced coaxial cable |

Cable Termination Options:

BNC connector
Ø 4mm RED/ BLACK banana plugs

Case:

PC UL 94 V-0 rated.

Designed to IEC 61010-1, IEC61010-2-032 and EN 61010-1 - Protection Class II, double or reinforced insulation requirement

Protection – IP30 (IEC 529)

Drop Test – IEC 68-2-32, 1 meter

Mechanical Shock – IEC 68-2-27, 100G

RoHS compliant.

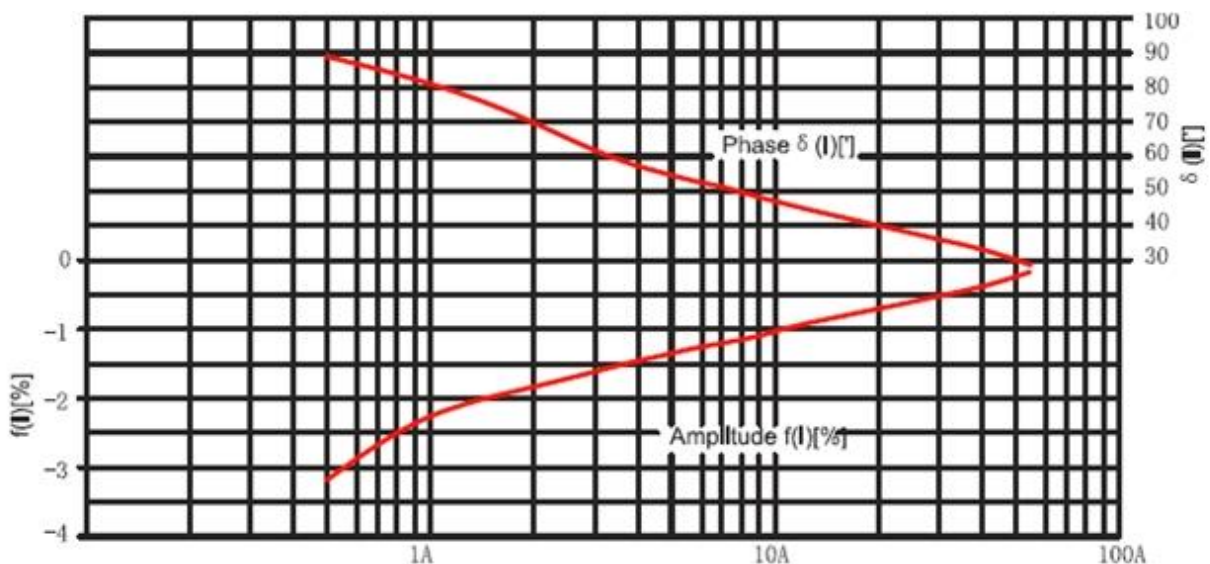


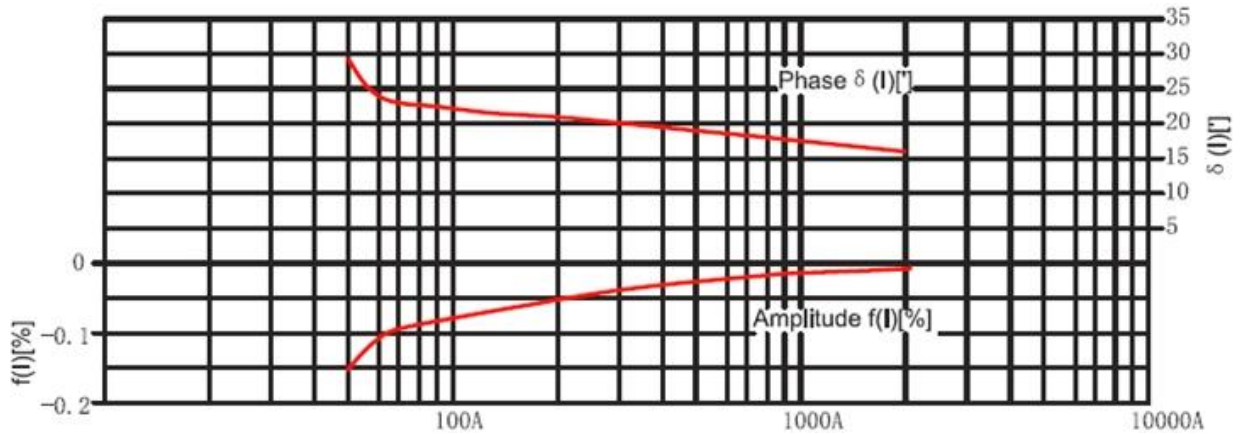
ETL Certified (Control Number 4002689)



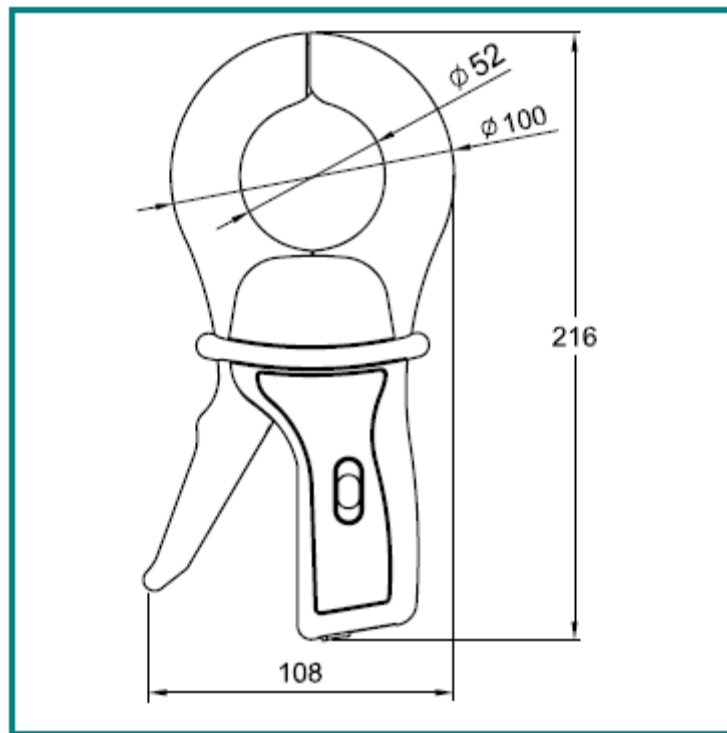
Typical Performance:

Ratio 1:1000, Frequency 50Hz. Burden 1 ohm, Ambient Temperature 25° C





Outline Drawing:



Custom clamp-on current probe designs are available to meet the specific application requirements. For a no obligation technical evaluation, please provide the specific performance requirements to engineering@tichenassociates.com or the address below.

83 East Road
 Tacoma, Washington 98406-7630
 USA

sales@tichenassociates.com

Telephone: 253.678.2661
 FAX: 206.350.6482
www.TIChenAssociates.com