

Toroidal Current Transformer

Features:

Seven (7) Standard Sizes:

- CTT1611 – 16.3mm (0.64") opening,
- CTT2511 – 25.4mm (1.00") opening,
- CTT3911 – 39.6mm (1.56") opening,
- CTT5211 – 52.3mm (2.06") opening,
- CTT6311 – 63.5mm (2.50") opening,
- CTT8211 – 82.6mm (3.25") opening,
- CTT1A11 – 108.0mm (4.25") opening.

Four (4) configuration options:

- L – Wire leads,
- T – Terminals,
- LC – Wire leads and mounting plate,
- LT – Terminals and mounting plate.

Specifications:

- Frequency: 50 to 400Hz
- Maximum operating voltage: 600VAC.
- Isolation voltage 10k VAC for 1 minute.
- Operating Temperature: -25°C to +55° C
Optional: -40°C to +85° C
- Construction:
 - Epoxy encapsulated housing
 - Case material: PBT or ABS
 - Wire Leads: 0.61m (2Ft), UL 1015, Twisted Pair, 0.34mm² (22AWG).



- CE Approved
- RoHS compliant.



Performance:

- Accuracy Class: 0.1, 0.2, 0.5, 1.0, 3.0 (IEC 60044-1)
- Accuracy: $\leq \pm 0.1\%$ @ Rated Current
- Phase shift: $\leq 10'$ @ Rated Current
- Linearity: 5% to 120% of Rated Current

Options:

- Optional primary to secondary ratios:
 - xxxx to 1A at rated current,
 - xxxx to 5A at rated current,
 - xxxx to 0.2A at rated current,
 - xxxx to 0.1A at rated current.
- **Optional:** Polyester film covering in lieu of case.

Custom toroidal current transformer designs are available to meet the specific application requirements. For a no obligation technical evaluation, please provide the specific performance requirements to engineering@tichenassociates.com or the address below.

Configuration Options:

Ratio	Accuracy Class @ Secondary Burden Impedance				
	2.5 VA	5.0 VA	12.5 VA	22.5 VA	50 VA
60A/ 5A	3.0				
75A/ 5A	3.0				
80A/ 5A	3.0				
100A/ 5A	1.0				
120A/ 5A	1.0	1.0			
125A/ 5A	1.0	1.0			
150A/ 5A	1.0	1.0			
200A/ 5A	0.2	0.5			
250A/ 5A	.02	.05			

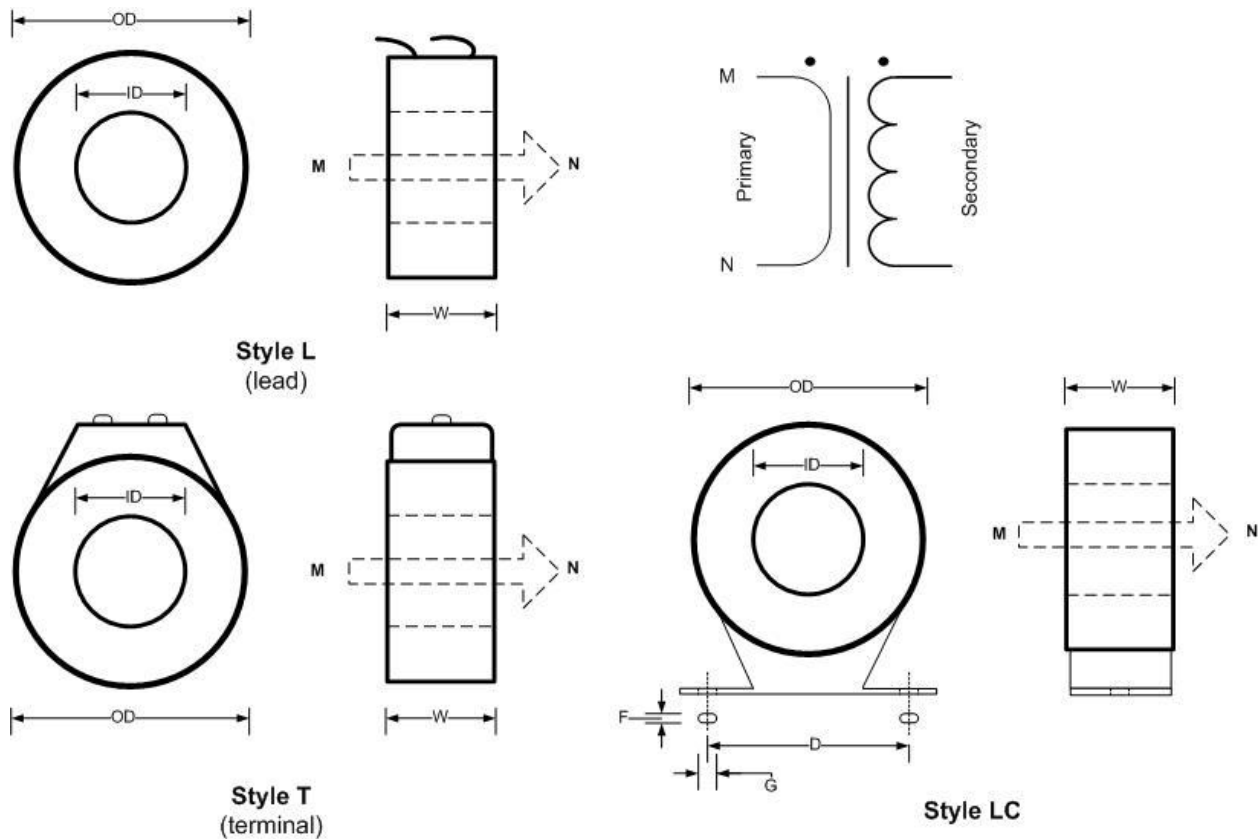
NOTE: Accuracy class as defined by IEC60044-1 @ 50/60 HZ

Typical Performance:

Model – CTT1611-L-0200A/ 5A (Burden = 5VA, Power Factor = 0.8)

Primary Current (% FS)	5%	20%	50%	80%	100%	120%
Ratio Error (%)	-1.200	-0.900	-0.760	-0.539	-0.504	-0.500
Phase Shift Error (')	28.6	18.9	8.4	4.6	3.3	3.1

Outline Drawing:



Dimensions:

	Dimensions mm (inch)					
	ID	OD	W	D	F	G
All models	16.3 (0.64)	50.5 (1.99)	31.5 (1.24)			

NOTE: Style LC is not available with this model.