

## Toroidal Current Transformer

### Features:

Seven (7) Standard Sizes:

- CTT1611 – 16.3mm (0.64") opening,
- CTT2511 – 25.4mm (1.00") opening,
- CTT3911 – 39.6mm (1.56") opening,
- CTT5211 – 52.3mm (2.06") opening,
- CTT6311 – 63.5mm (2.50") opening,
- CTT8211 – 82.6mm (3.25") opening,
- CTT1A11 – 108.0mm (4.25") opening.

Four (4) configuration options:

- L – Wire leads,
- T – Terminals,
- LC – Wire leads and mounting plate,
- LT – Terminals and mounting plate.

### Specifications:

- Frequency: 50 to 400Hz
- Maximum operating voltage: 600VAC.
- Isolation voltage 10k VAC for 1 minute.
- Operating Temperature: -25°C to +55° C  
Optional: -40°C to +85° C
- Construction:
  - Epoxy encapsulated housing
  - Case material: PBT or ABS
  - Wire Leads: 0.61m (2Ft), UL 1015, Twisted Pair, 0.34mm<sup>2</sup> (22AWG).



- CE Approved
- RoHS compliant.



### Performance:

- Accuracy Class: 0.1, 0.2, 0.5, 1.0, 3.0 (IEC 60044-1)
- Accuracy:  $\leq \pm 0.1\%$  @ Rated Current
- Phase shift:  $\leq 10'$  @ Rated Current
- Linearity: 5% to 120% of Rated Current

### Options:

- Optional primary to secondary ratios:
  - xxxx to 1A at rated current,
  - xxxx to 5A at rated current,
  - xxxx to 0.2A at rated current,
  - xxxx to 0.1A at rated current.
- **Optional:** Polyester film covering in lieu of case.

**Custom toroidal current transformer designs** are available to meet the specific application requirements. For a no obligation technical evaluation, please provide the specific performance requirements to [engineering@tichenassociates.com](mailto:engineering@tichenassociates.com) or the address below.

### Configuration Options:

Ratio	Accuracy Class @ Secondary Burden Impedance				
	2.5 VA	5.0 VA	12.5 VA	22.5 VA	50 VA
100A/ 5A	1.0				
150A/ 5A	1.0	1.0			
200A/ 5A	0.5	0.5			
250A/ 5A	0.5	0.5	1.0		
300A/ 5A	0.2	0.2	1.0		
400A/ 5A	0.2	0.2	0.5	3.0	
500A/ 5A	0.2	0.2	0.5	1.0	
600A/ 5A	0.2	0.2	0.5	1.0	
750A/ 5A	0.2	0.5	0.5	0.5	
800A/ 5A	0.2	0.2	0.2	0.2	
1000A/ 5A	0.2	0.2	0.2	0.2	
1200A/ 5A	0.2	0.2	0.2	0.2	0.5

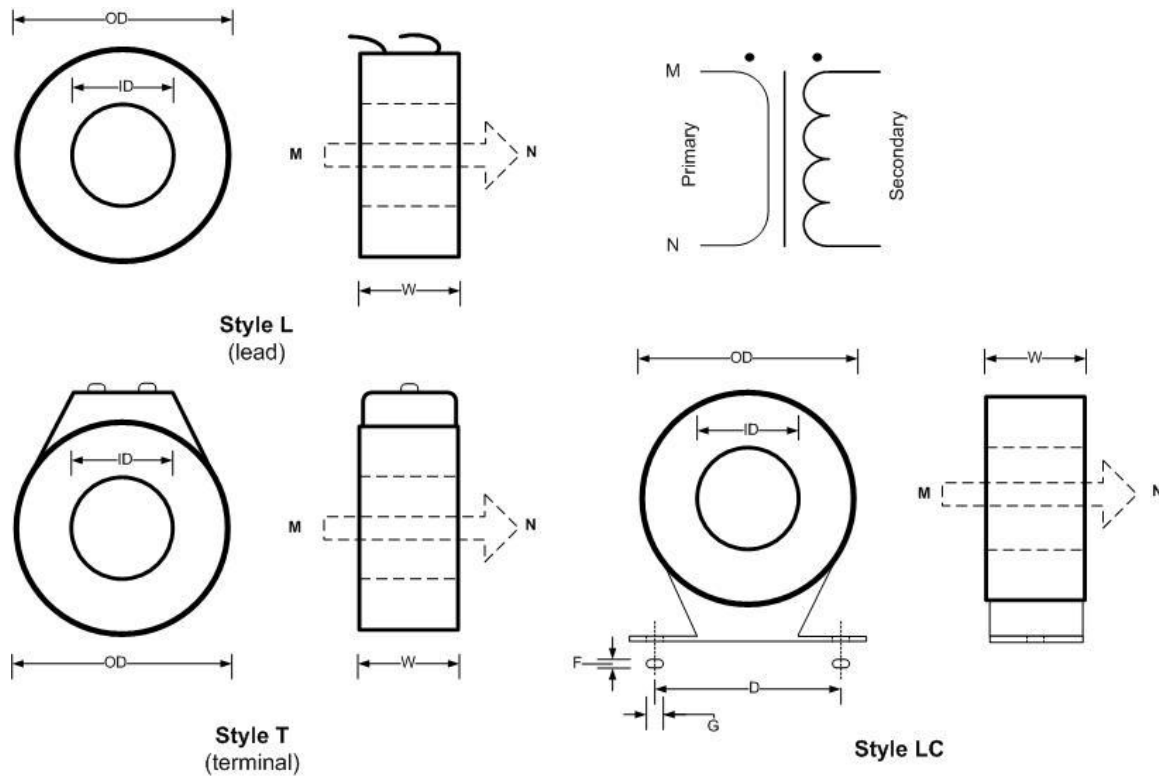
**NOTE:** Accuracy class as defined by IEC60044-1 @ 50/60 HZ

### Typical Performance:

Model – CTT3911-L-0200A/ 5A (Burden = 5VA, Power Factor = 0.8)

Primary Current (% FS)	5%	20%	50%	80%	100%	120%
Ratio Error (%)	-2.300	-1.700	-1.500	-1.300	-1.100	-1.000
Phase Shift Error (')	90.3	38.8	16.9	8.7	6.5	4.6

**Outline Drawing:**



**Dimensions:**

	Dimensions mm (inch)					
	ID	OD	W	D	F	G
100:5, 150:5, 200:5, 250:5	39.6 (1.56)	101.5 (4.00)	27.9 (1.10)	98.6 (3.88)	6.9 (0.27)	11.2 (0.44)
300:5, 400:5, 500:5, 600:5, 750:5, 800:5, 1000:5, 1200:5			54.6 (2.15)			