

Toroidal Current Transformer

Features:

Seven (7) Standard Sizes:

- CTT1611 – 16.3mm (0.64") opening,
- CTT2511 – 25.4mm (1.00") opening,
- CTT3911 – 39.6mm (1.56") opening,
- CTT5211 – 52.3mm (2.06") opening,
- CTT6311 – 63.5mm (2.50") opening,
- CTT8211 – 82.6mm (3.25") opening,
- CTT1A11 – 108.0mm (4.25") opening.

Four (4) configuration options:

- L – Wire leads,
- T – Terminals,
- LC – Wire leads and mounting plate,
- LT – Terminals and mounting plate.

Specifications:

- Frequency: 50 to 400Hz
- Maximum operating voltage: 600VAC.
- Isolation voltage 10k VAC for 1 minute.
- Operating Temperature: -25°C to +55° C
Optional: -40°C to +85° C
- Construction:
 - Epoxy encapsulated housing
 - Case material: PBT or ABS
 - Wire Leads: 0.61m (2Ft), UL 1015,
Twisted Pair, 0.34mm² (22AWG).



- CE Approved
- RoHS compliant.



Performance:

- Accuracy Class: 0.1, 0.2, 0.5, 1.0, 3.0 (IEC 60044-1)
- Accuracy: $\leq \pm 0.1\%$ @ Rated Current
- Phase shift: $\leq 10'$ @ Rated Current
- Linearity: 5% to 120% of Rated Current

Options:

- Optional primary to secondary ratios:
 - xxxx to 1A at rated current,
 - xxxx to 5A at rated current,
 - xxxx to 0.2A at rated current,
 - xxxx to 0.1A at rated current.
- **Optional:** Polyester film covering in lieu of case.

Custom toroidal current transformer designs are available to meet the specific application requirements. For a no obligation technical evaluation, please provide the specific performance requirements to engineering@tichenassociates.com or the address below.

83 East Road
Tacoma, Washington 98406-7630
USA

sales@tichenassociates.com

Telephone: 253.678.2661
FAX: 206.350.6482
www.TiChenAssociates.com

Configuration Options:

| Ratio | Accuracy Class @ Secondary Burden Impedance | | | | |
|-----------|---|--------|---------|---------|-------|
| | 2.5 VA | 5.0 VA | 12.5 VA | 22.5 VA | 50 VA |
| 150A/ 5A | 3.0 | 3.0 | | | |
| 200A/ 5A | 1.0 | 1.0 | | | |
| 250A/ 5A | 0.5 | 1.0 | 3.0 | | |
| 300A/ 5A | 0.5 | 0.5 | 1.0 | | |
| 400A/ 5A | 0.5 | 0.5 | 1.0 | 1.0 | |
| 500A/ 5A | 0.2 | 0.5 | 0.5 | 1.0 | |
| 600A/ 5A | 0.2 | 0.2 | 0.5 | 0.5 | 1.0 |
| 750A/ 5A | 0.2 | 0.2 | 0.5 | 0.5 | 1.0 |
| 800A/ 5A | 0.2 | 0.2 | 0.5 | 0.5 | 1.0 |
| 1000A/ 5A | 0.2 | 0.2 | 0.5 | 0.5 | 1.0 |
| 1200A/ 5A | 0.2 | 0.2 | 0.2 | 0.5 | 0.5 |
| 1500A/ 5A | 0.2 | 0.2 | 0.2 | 0.2 | 0.5 |
| 1600A/ 5A | 0.2 | 0.2 | 0.2 | 0.2 | 0.5 |

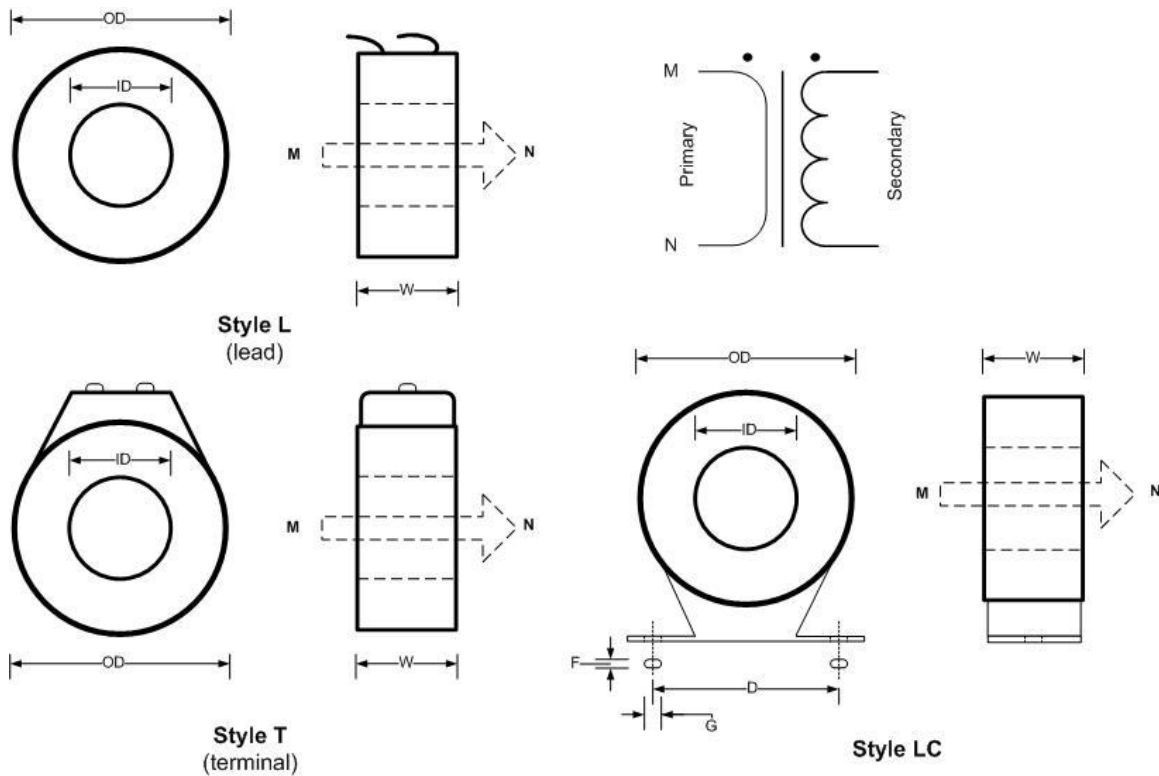
NOTE: Accuracy class as defined by IEC60044-1 @ 50/60 HZ

Typical Performance:

Model – CTT3911-L-0200A/ 5A (Burden = 5VA, Power Factor = 0.8)

| Primary Current (% FS) | 5% | 20% | 50% | 80% | 100% | 120% |
|------------------------|--------|--------|--------|--------|--------|--------|
| Ratio Error (%) | -2.300 | -1.700 | -1.500 | -1.300 | -1.100 | -1.000 |
| Phase Shift Error (') | 90.3 | 38.8 | 16.9 | 8.7 | 6.5 | 4.6 |

Outline Drawing:



Dimensions:

| | Dimensions mm (inch) | | | | | |
|---------|----------------------|---------------|--------------|--------------|-------------|------------|
| | ID | OD | W | D | F | G |
| CTT5211 | 52.3 (2.06") | 108.0 (4.25") | 27.9 (1.10") | 98.6 (3.88") | 6.4 (0.25") | 7.9 (0.31) |