

High Voltage, Toroidal Core Current Transformers

The YUANXING CTT series of toroidal core current transformers are designed with an internal precision burden resistor across the secondary winding of the current transformer. The precision resistor provides a safe, low AC voltage output, which permits safe opening of the secondary.

Features:

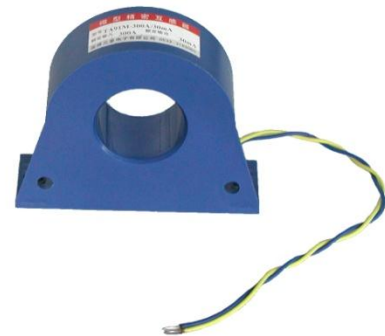
- Low cost
- 8 standard sizes
- Two mounting patterns available
- Silicon Steel core material

Applications:

Monitors AC current flows to motors, lighting, air conditioning equipment. The CTT is compatible with HVAC temperature control, energy management and building automation systems.

Specifications:

- Output: 0.333 VAC at rated current.
- Accuracy: $\pm 1\%$ from 10% to 130% of rated current.
- Phase Angle: less than 1 degree at 50% of rated current.
- Frequency: 50/60Hz
- Insulation Voltage: 600 Vac
- Maximum Primary Voltage: 5,000 Vac (Insulated conductor)
- Operating Temperature: -15°C to $+60^{\circ}\text{C}$
- Case material: ABS Resin UL flame retardant rating 94V-0



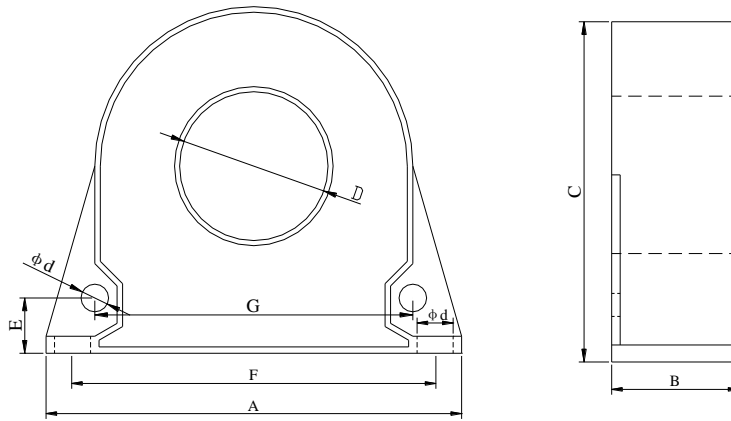
- Construction: Epoxy encapsulated housing
- Leads: .61 m (2 Ft), UL 1015 twisted Pair, 0.34mm^2 (22AWG)

Models:

Part Number	Rated (Amp)	MAX (amp)	Opening (mm/in)
CTT0076-xxxx/0.333V	5, 15, 20, 30	40A	7.6/.30
CTT0127-xxxx/0.333V	15, 30, 50, 60	80A	12.7/.50
CTT0150-xxxx/0.333V	15, 30, 50, 60	80A	15.0/.59
CTT0191-xxxx/0.333V	30, 50, 70, 100	130A	19.1/.75
CTT0254-xxxx/0.333V	50, 70, 100, 150, 200	260A	25.4/1.00
CTT0318-xxxx/0.333V	70, 100, 150, 200, 250, 300, 400	520A	31.8/1.25
CTT0350-xxxx/0.333V	70, 100, 150, 200, 250, 300, 400	520A	35.0/1.37
CTT0508-xxxx/0.333V	600, 800, 1000, 1200, 1500	1800A	50.8/2.00

Note: "Max. Amps" is the highest continuous current that the CT can handle without being damaged. The suffix "-xxxx" is the rated amps.

Outline Drawing (CTT0150 & CTT0350):

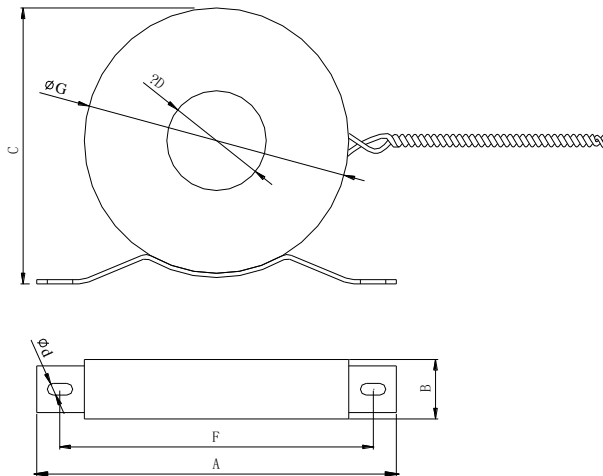


CTT0150 and CTT0350

Outline Dimension:

Part Number	Dimension mm(inch)							
	A	B	C	D	E	F	G	Φ d
CTT0150	58.4 (2.30")	23.0 (0.90")	45.0 (1.77")	15.0 (0.59")	9.5 (0.37")	49.0 (1.93")	40.0 (1.57")	4.3 (0.17")
CTT0350	99.0 (3.90")	30.0 (1.18")	80.0 (3.15")	35.0 (1.38")	13.0 (0.51")	85.0 (3.35")	75.0 (2.95")	6.3 (0.25")

Outline Drawing (CTT0076, CTT0127, CTT0191, CTT0254, CTT0318, CTT0508):



CTT0076, CTT0127, CTT0191, CTT0254, CTT0318, CTT0508

Outline Dimension:

Part Number	Dimension mm(inch)							
	A	B	C	D	E	F	G	Φd
CTT0076	63.5 (2.50")	19.0 (0.75")	48.3 (1.90")	7.6 (0.30")		53.3 (2.10")	43.2 (1.70")	4.3 (0.17")
CTT0127	68.6 (2.70")	19.0 (0.75")	53.3 (2.10")	12.7 (0.50")		58.4 (2.30")	48.3 (1.90")	4.3 (0.17")
CTT0191	76.2 (3.00")	19.0 (0.75")	59.7 (2.35")	19.1 (0.75")		63.5 (2.50")	53.3 (2.10")	5.3 (0.21")
CTT0254	83.8 (3.30")	20.3 (0.80")	66.0 (2.60")	25.4 (1.00")		71.0 (2.80")	61.0 (2.40")	5.3 (0.21")
CTT0318	91.4 (3.60")	30.0 (1.18")	74.9 (2.95")	35.0 (1.38")		78.7 (3.10")	68.6 (2.70")	6.3 (0.25")
CTT0508	157.7 (6.20")	30.5 (1.20")	133.3 (5.25")	50.8 (2.00")		139.7 (5.50")	127.0 (5.00") _s	8.4 (0.33")

Custom toroidal current transformer designs are available to meet the specific application requirements. For a no obligation technical evaluation, please provide the specific performance requirements to engineering@tichenassociates.com or the address below.