

Toroidal, PCB Mounted Current Transformer

The TA1x11 series of toroidal, PCB Mounted current transformers are designed for applications where the primary AC signal must be transformed accurately into a lower secondary AC signal appropriate for micro-processor based circuit designs.



These printed circuit board (PCB) mounted current transformers are designed to provide exceptional primary signal transformation accuracy with low phase shift while operating in harsh operating environments.

Features:

Asymmetrical PIH mounting pattern.

Available toroidal core options;
Nanocrystalline, silicone steel, nickel alloy.

Specifications:

- Secondary output (mA) dependent upon the ratio selected:
 - 1:1000,
 - 1:2000,
 - 1:2500
- Frequency: 50 to 400 Hz
- Dielectric Resistance: 1,000 M ohms @ 500 VDC
- Isolation Voltage: 2,500 V_{RMS} for 1 minute
- Surge withstand potential: 5,000V (1.2/50µs standard shock wave)
- Operating Temperature: -25°C to +55° C
 - Option: -40°C to +85° C

Construction:

- Exterior: PBT Resin, UL flame retardant rating 94V-0 case
- Interior: epoxy resin

Performance:

- Accuracy Class: 0.1, 0.2, 0.5 (IEC 60044-1)
- Linearity: Dependent upon the selected core material.
- Phase Shift: Dependent upon the selected core material.
- CE Approved
- RoHS compliant



ZIBO YUANXING Electronics Co., LTD

Pioneering Park, Science & Technology Industry Zone
Zhangdian, Zibo, Shandong Province 255095
P.R.C. (China)

Telephone: +86-533.381.8450

sales@yuanxing.net

Fax: +86-533.381.8724

www.yuanxing.net

T.I. Chen Associates LLC.

83 East Road
Tacoma, Washington 98406-7630
USA

Telephone: 253.678.2661

sales@tichenassociates.com

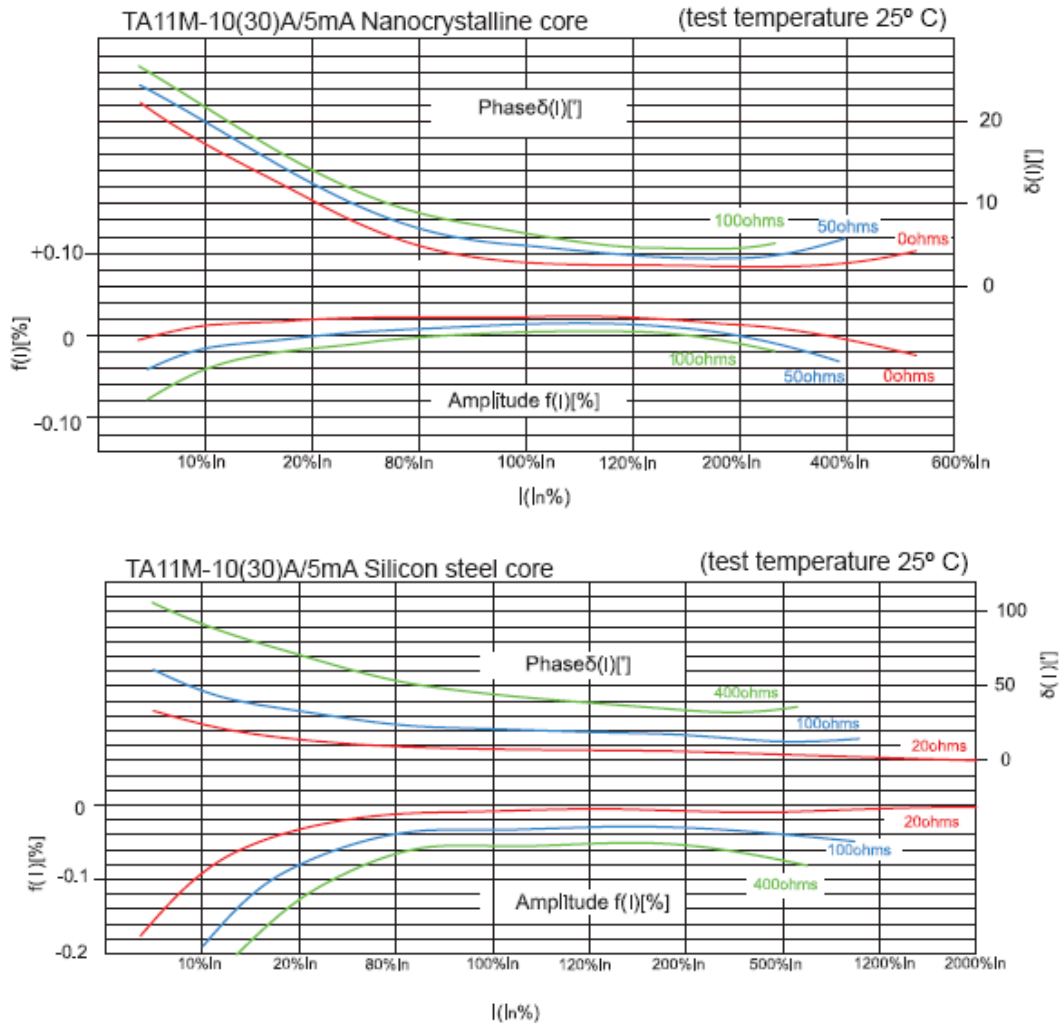
FAX: 206.350.6482

www.TIChenAssociates.com

Performance

Model	Rated Input	Primary to Secondary Ratio	Frequency	Accuracy Class (IEC 60044-1)	Secondary Burden Resistance
TA1111	5 to 30A	1:1000 1:2000 1:2500	50 to 400Hz	0.1, 0.2, 0.5	≤200Ω
TA1311	5 to 80A				≤800Ω
TA1411	5 to 80A				≤800Ω

Typical Relationship Impedance to Amplitude/ Phase Shift Error:



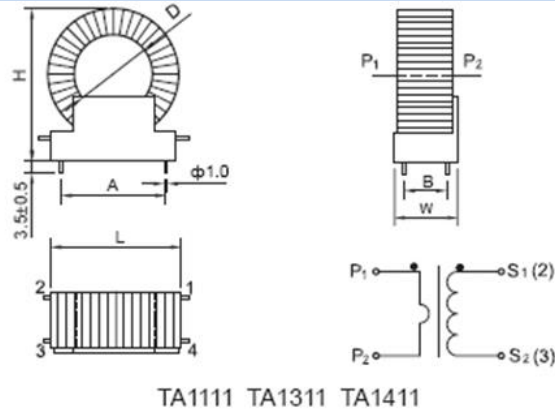
ZIBO YUANXING Electronics Co., LTD
Pioneering Park, Science & Technology Industry Zone
Zhangdian, Zibo, Shandong Province 255095
P.R.C. (China)
Telephone: +86-533.381.8450
sales@yuanxing.net

Fax: +86-533.381.8724
www.yuanxing.net

T.I. Chen Associates LLC.
83 East Road
Tacoma, Washington 98406-7630
USA
Telephone: 253.678.2661
sales@tichenassociates.com

FAX: 206.350.6482
www.TIChenAssociates.com

Outline Drawing:



Model	L (mm/in)	W (mm/in)	H (mm/in)	A (mm/in)	B (mm/in)	D (mm/in)
TA1111	24.00 (0.845")	18.00 (0.709")	25.00 (0.984")	15.20 (0.598")	6.50 (0.256")	7.00 (0.276")
TA1311	25.30 (0.996")	18.00 (0.709")	30.00 (1.181")	20.32 (0.800")	13.00 (0.512")	8.00 (0.315)
TA1411	28.00 (1.102")	20.50 (0.807")	33.50 (1.319")	23.30 (0.917")	15.50 (0.610")	9.00 (0.354")

Packaging:

TA1111 Packaging: 120 pcs per box, **1440** pcs per bulk pack
Bulk pack carton – 38cm (15.0") x 27cm (10.6") x 29cm (11.4")

TV1311 Packaging: TBD pcs per carton, **TBD** pcs per bulk pack
Bulk pack carton – 38cm (15.0") x 27cm (10.6") x 29cm (11.4")

TV1411 Packaging: 55 pcs per carton, **660** pcs per bulk pack
Bulk pack carton – 38cm (15.0") x 27cm (10.6") x 29cm (11.4")

Custom current transformer designs are available to meet the specific application requirements. For a no obligation technical evaluation, please provide the specific performance requirements to applicationengineering@tichenassociates.com or the address below.

ZIBO YUANXING Electronics Co., LTD
Pioneering Park, Science & Technology Industry Zone
Zhangdian, Zibo, Shandong Province 255095
P.R.C. (China)
Telephone: +86-533.381.8450
sales@yuanxing.net

Fax: +86-533.381.8724
www.yuanxing.net

T.I. Chen Associates LLC.
83 East Road
Tacoma, Washington 98406-7630
USA
Telephone: 253.678.2661
sales@tichenassociates.com

FAX: 206.350.6482
www.TIChenAssociates.com